

VERTEX VERSACLIP™

SPRING CLIP



What makes the VersaClip Spring Clip the best clip on the market?

High profile upturned edge

Provides an excellent target for easy spring-up and hammer closing.

Mechanical liner locks

Provides a positive lock to prevent liner movement.

Extended polypropylene liner

Eliminates metal to metal noise. Liner extends past the ends of the clip to prevent metal to metal noise from sinuous side to side movement.

Liner/spring locks

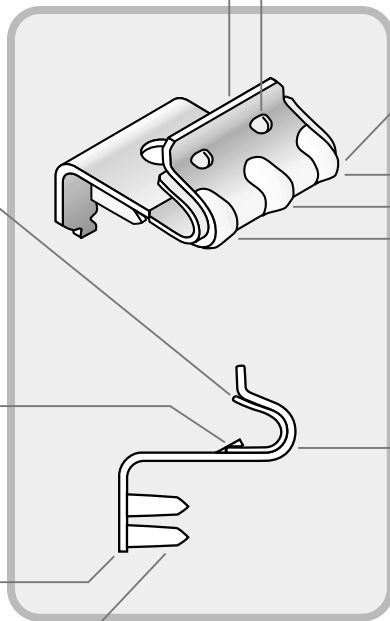
Mechanically locks liner in place and accurately positions sinuous springs in place.

1/2 inch leg

Wraps around the top corner of the rail. This design increases the holding strength of this clip versus staple-on clips.

Integral nails

Enter rail at different points to prevent splitting and provide ultimate holding power.



Radius edges

Comfort to sinuous spring shape.

Triple embossment

Provides extra strength and holding power.

19 gauge steel

Provide clip strength and durability.

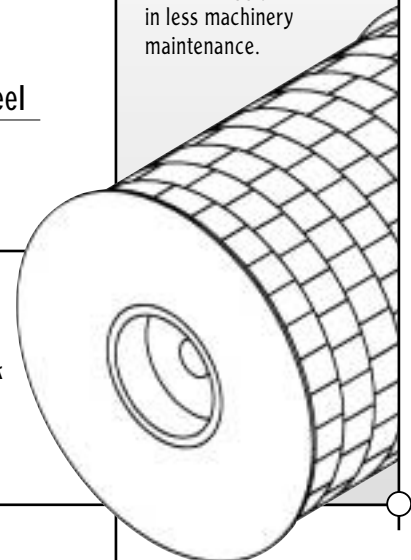
All-in-one-design

Allows you to use one clip for both back and seat rails, reducing inventory costs, storage requirements and the need for changeover.



Packaged in convenient 1,500 clip rolls.

Polycord collation offers flexibility, durability and zero waste. This method also makes the clips easier to apply and results in less machinery maintenance.



Vertex products are covered by one or more of the following Patent Numbers: 5,303,821; 5,833,064; 6,055,716.

VERTEX  **FASTENERS INC.**

A SUBSIDIARY OF *Leggett & Platt*

3714 JARVIS AVENUE, SKOKIE, IL 60076 U.S.A.
EMAIL: VERTEX@LEGGETT.COM
PHONE: 847-329-8530 FAX: 847-329-8529